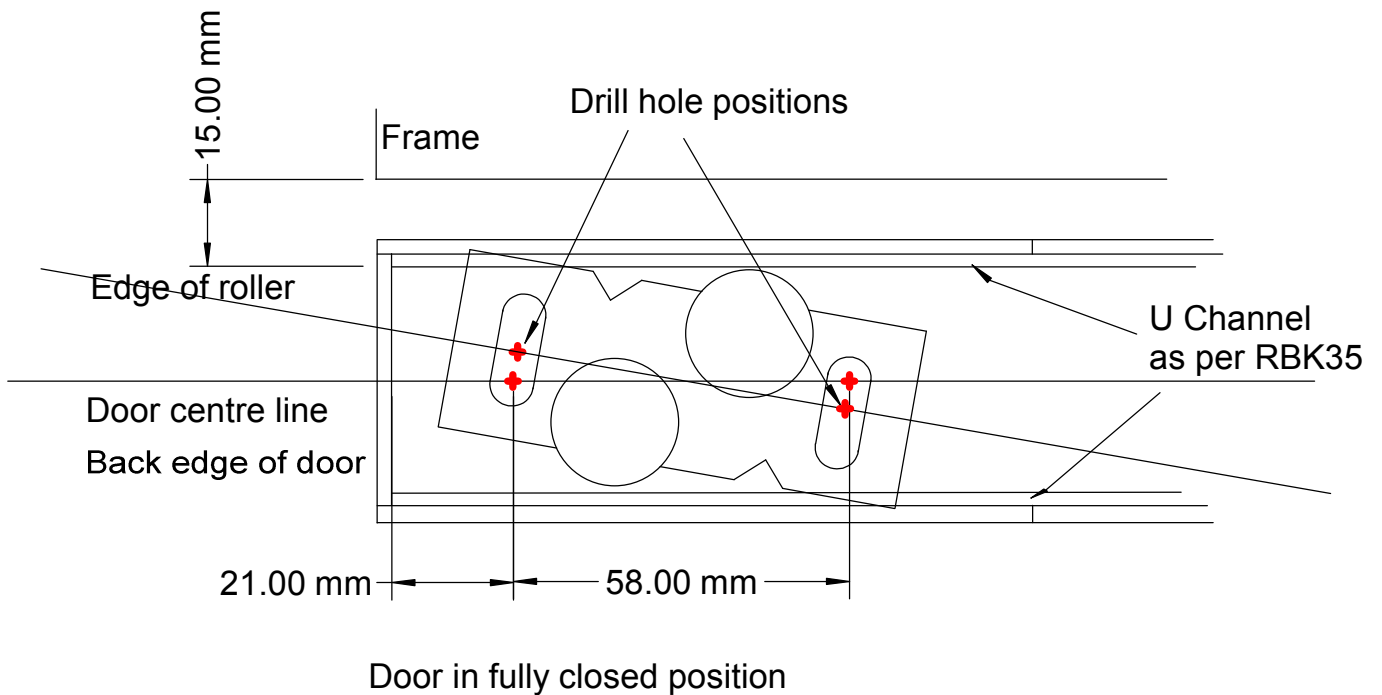


Floor guide installation for framed doors

Ensure door is plumb.
 Draw centre line of door.
 Place door in closed position.
 Measure in 21mm from inside back edge of door and mark.
 Measure 58mm from 1st hole for 2nd position and mark.
 Position floor guide as per drawing and mark hole centres.



Rotate floor guide clockwise to loosen
 and anticlockwise to tighten.

Rollers should just touch the inner bottom
 stile without pressure or binding.

A final check should be to manually
 move the door fully open and closed
 to make sure it runs freely with no
 binding. Must have a minimum of 2mm
 free play.



Floor guide installation



Always refer to website for current drawing

Rubek Automatic Doors
 Unit 2, 79 Achievement Way
 Wangara, WA, 6065
 Tel (08) 9302 3200
 Fax (08) 9302 3400
 Web www.rubek.com.au
 email sales@rubek.com.au

Copyright Rubek Industries 1994-2016

Date	21-6-17	Scale	N/A
Drawn by	TJD	Sheet	10F1
Checked by	RVS	File name	RBK44