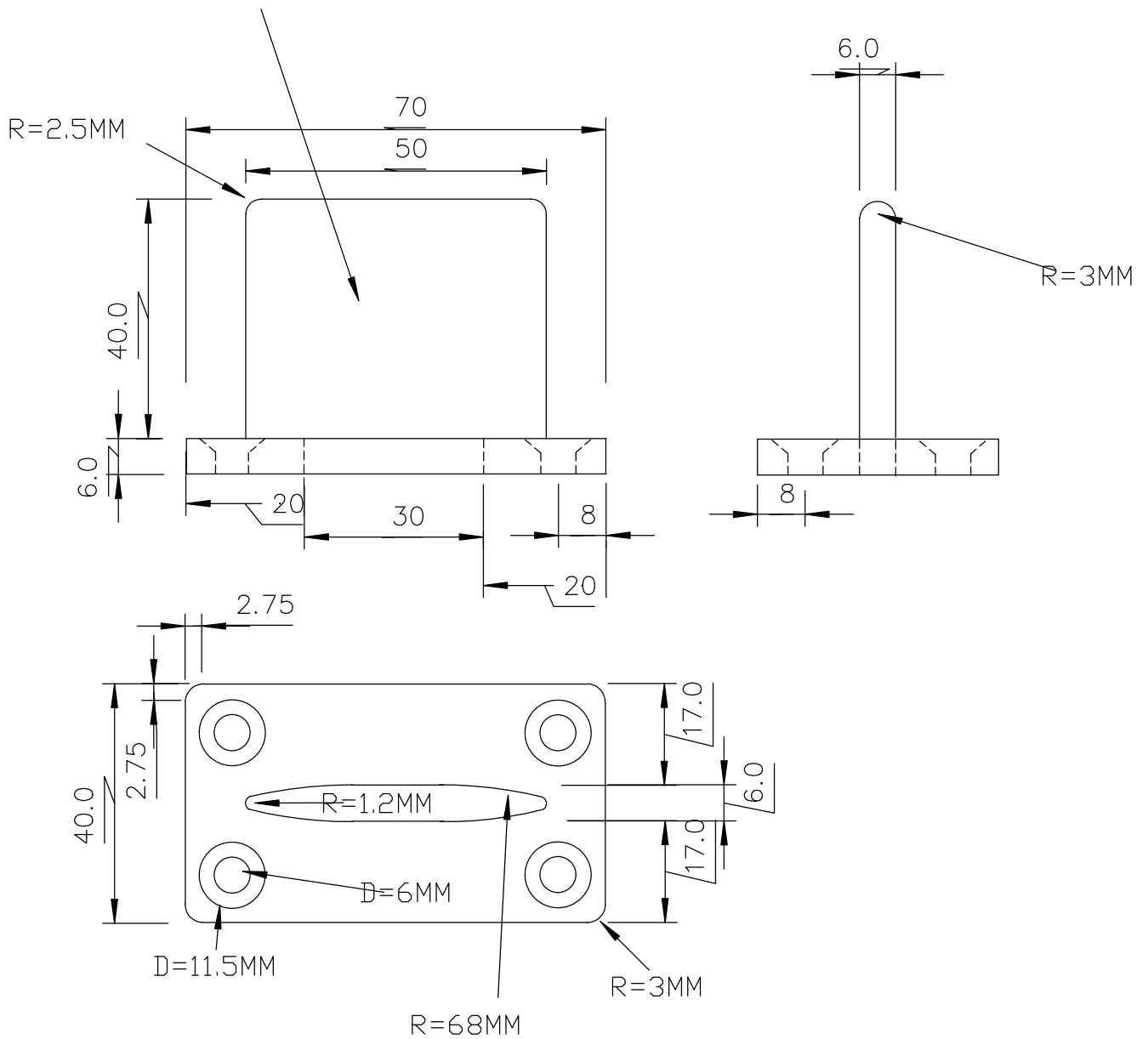


SMOOTH FACES BOTH SIDES
SO AS NOT TO ABRAID
TIMBER SLOT



STAINLESS STEEL FLOOR GUIDE
FOR TIMBER DOORS
WELDING TO BE GROUND AND POLISHED
AS GUIDES ARE VISIBLE

FLOOR GUIDES FOR TIMBER DOORS



Always refer to website for current drawing

Rubek Automatic Doors
Unit 2, 79 Achievement Way
Wangara, WA, 6065
Tel (08) 9302 3200
Fax (08) 9302 3400
Web www.rubek.com.au
email sales@rubek.com.au
Copyright Rubek Industries 1994-2016

Date
24-04-2014

Scale
N/A

Drawn by
TJD

Sheet
10F1

Checked by
RVS

File name
RBK39