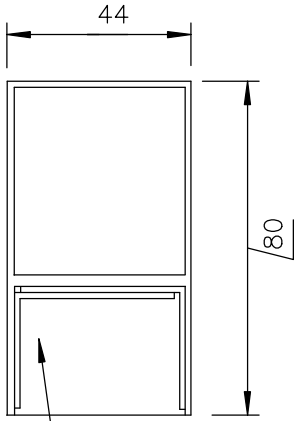
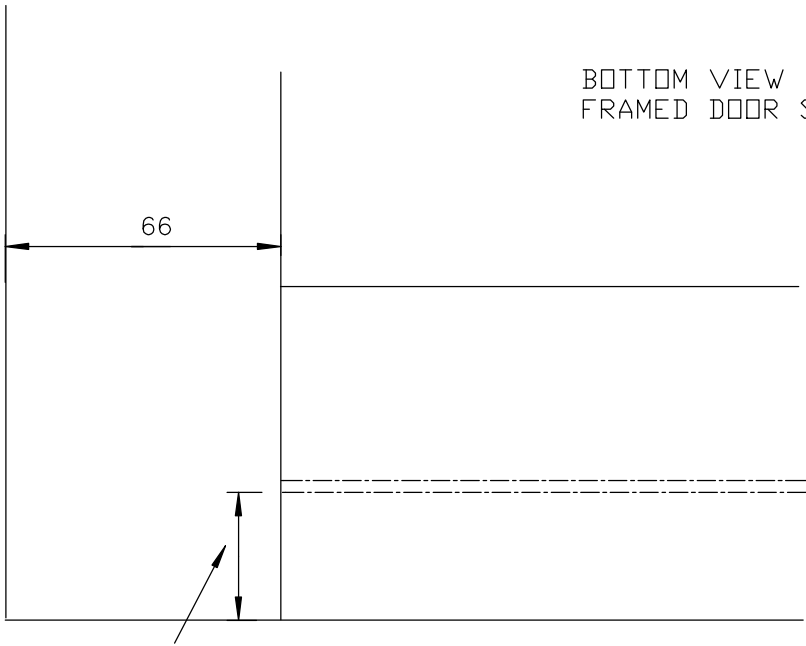
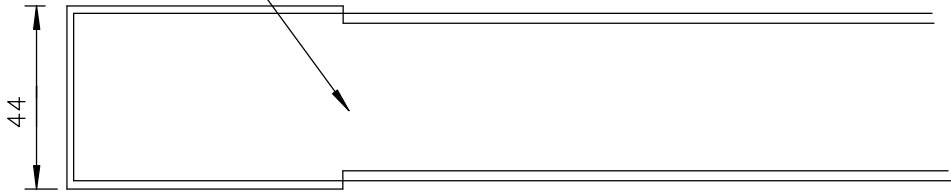


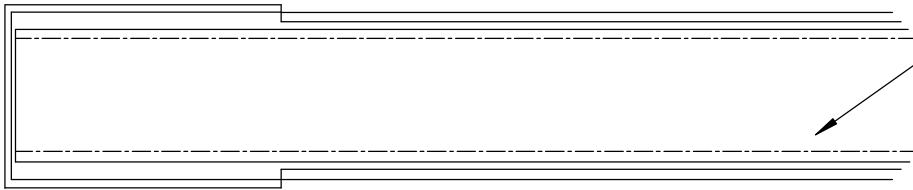
BOTTOM VIEW OF
FRAMED DOOR SECTION



CUT OUT
INTERNAL
SECTION OF
STILE



ALUMINIUM ANGLES T
FULL WIDTH OF
DOOR. PROVIDES
SMOOTH OPERATION
FOR FLOOR GUIDES
(CONCEALED TYPE)



FRAME CUTOUTS FOR FLOOR GUIDES



Always refer to website for current drawing

Rubek Automatic Doors
Unit 2, 79 Achievement Way
Wangara, WA, 6065
Tel (08) 9302 3200
Fax (08) 9302 3400
Web www.rubek.com.au
email sales@rubek.com.au
Copyright Rubek Industries 1994-2016

Date
18-12-2014

Scale
N/A

Drawn by
TJD

Sheet
10F1

Checked by
RVS

File name
RBK35