

SWING DOOR DRIVE UNIT

GILGEN FD 20



This high-performance, low-noise electromechanical drive mechanism is suitable for both lightweight internal and heavyweight external doors with high wind loads and heavy footfall. Its design is vandal-resistant, making it suitable for any location.

- Compatible with single/two-leaf doors and interlock accesses
- The integrated load function can withstand winds of up to 80 km/h
- Controlled, spring-actuated closure with motor assistance
- The drive mechanism has a built-in travel stop
- Test-approved "inverse" power-down opening function to let smoke escape and act as an emergency exit
- Freely selectable Full Power and Low Energy functions in a single drive mechanism
- Terminals for connecting accessories such as locks, security/safety elements or operating controls
- Voltage-free outputs for acknowledgements to, for example, the building management system (via relay PCB)
- TÜV approved and complies with the pertinent standards and requirements (e.g. EN 16005, DIN 18650)

Range of application

Max. door leaf weight	250 kg
Door sizes single-leaf	750 – 1600mm
Door sizes two-leaf	1500 – 3200mm
Max. opening angle	105°
Max. wind speed	80 km/h (320 Pa)*

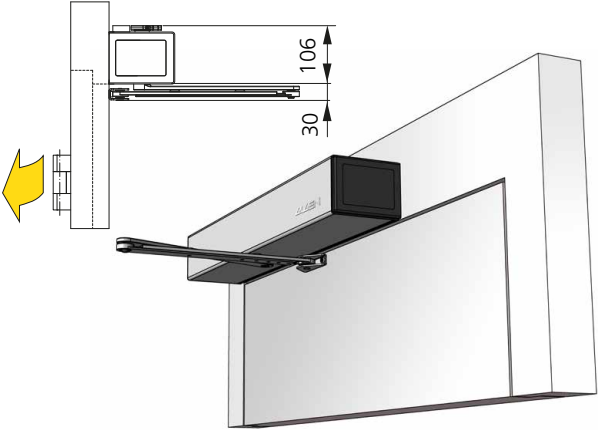
*depending on door size and type of rod

Dimensions of drive system

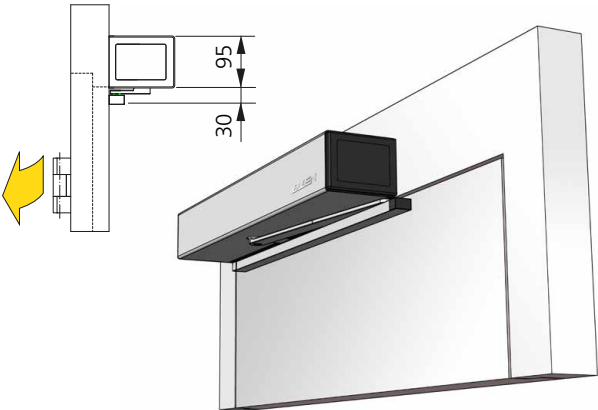
Height	95 mm
Width	690 mm
Depth	120 mm

Possible applications

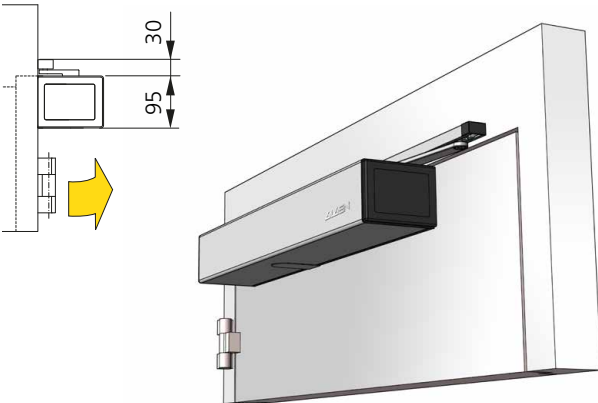
Standard rods with pushing function Lintel installation



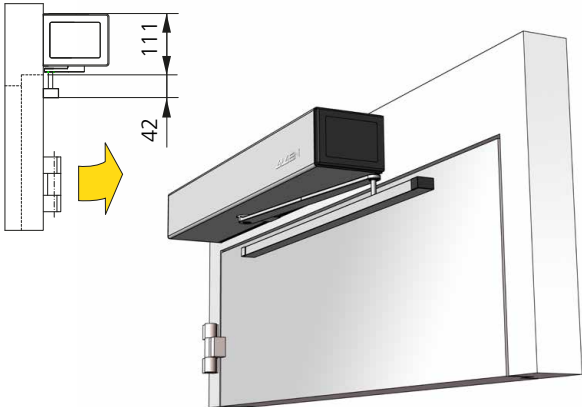
Sliding rods with pushing function Lintel installation



Sliding rods with pushing function Door leaf installation



Sliding rods with pulling function Lintel installation



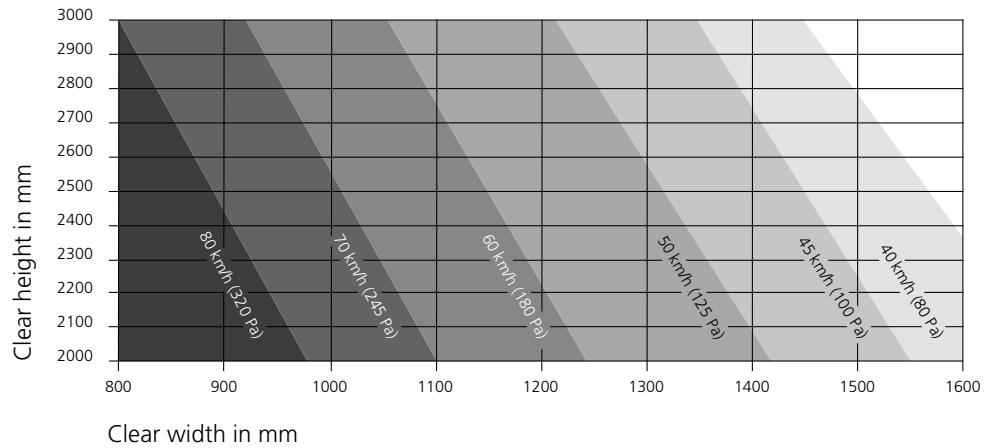
The Gilgen FD 20 withstands high wind-load stresses

The Gilgen unit for swing doors is capable of reliably opening and closing doors even if exposed to wind speeds of up to 80 km/h (320 Pa). For external doors, Gilgen Door Systems recommends to assume a wind pres-

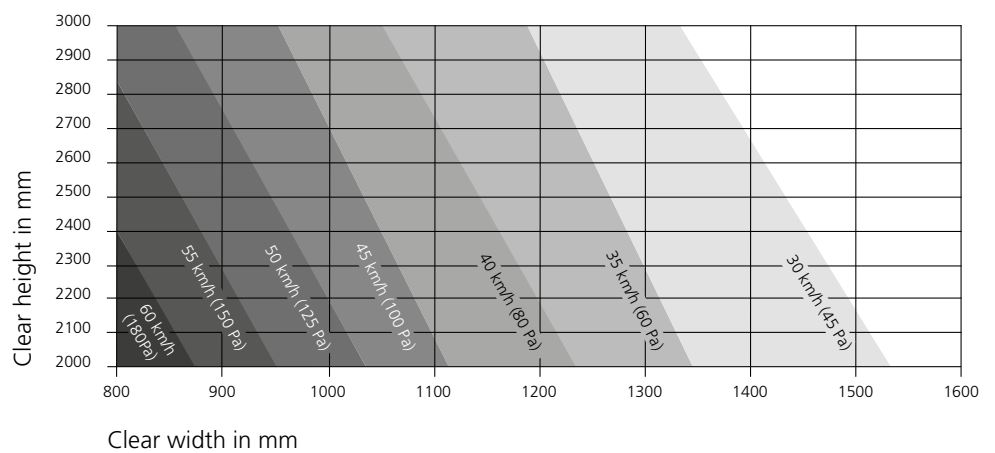
sure of at least 100 Pa 45km/h). Doors installed in certain exposed locations (e.g. near the sea, in mountainous regions, on observation platforms, etc.) are often subject to higher wind loads. The data in the following tables correspond to fully-secured doors with safety-sensor systems. The presented

application limits result from wind-load, door size and type of rods.

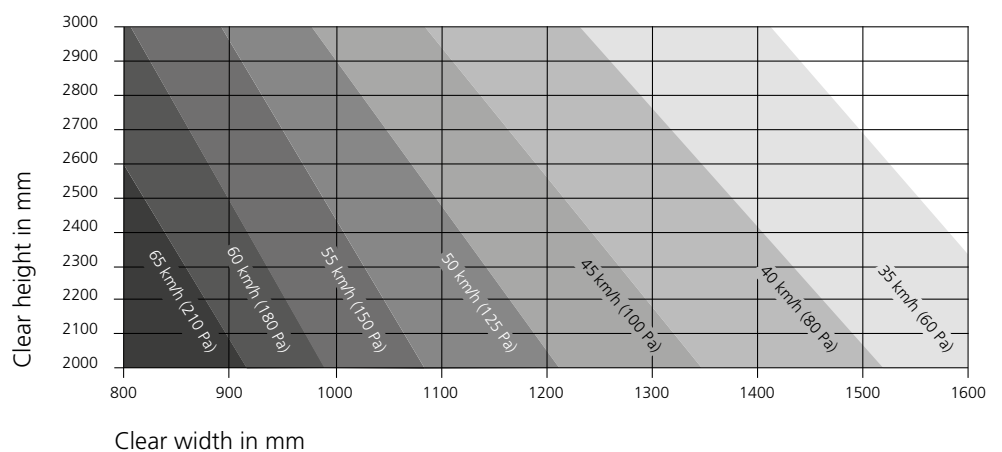
Standard rods pushing function (outward-opening door)



Sliding rods pushing function (outward-opening door)



Sliding rods pulling function (inward-opening door)

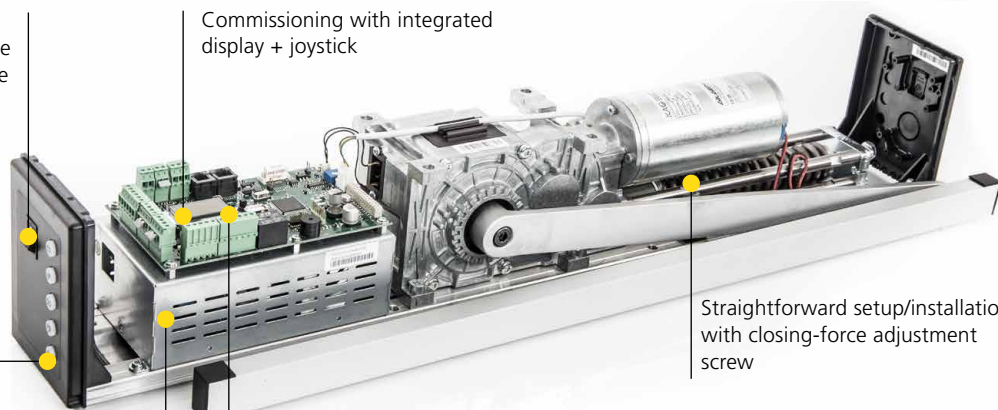


Technical data



All-pole main switch for safe disconnection from the mains and easy reset by the customer

Commissioning with integrated display + joystick



Straightforward setup/installation with closing-force adjustment screw

Built-in program selector for changes of operating mode

Software updates via USB interface to ensure a long service life

Efficient energy supply / low standby consumption via switched network-supply unit

Power transfer	Standard rods (pushing function) Sliding rods (pushing and pulling function)
Weight of drive system	10.5 kg
Protection rating	IP 40 (42)
Ambient temperature	-15 to +50 °C
Operating voltage	230 VAC (+10/-15 %), 50 Hz, 10/13 A
Power consumption of drive system	max. 560 W
Rated motor capacity	100 W
Stand-by consumption	4 W
Power supply, external user	24 VDC (±10 %), 2 A
Lintel depth standard rods	max. 250 mm
Lintel depth sliding rods	-30 / +200 mm
Opening speed	max. 40°/s
Closing speed	max. 40°/s
Relative humidity	max. 85 %
Output shaft torque	permanent max. 80 Nm short max. 240 Nm